



ALTERNATOR PRO18M E/4

three-phase brushless synchronous alternator with AVR - 4 poles

Technical Data Sheet

PRO18M E/4

COMMON DATA

Rated Power at 50Hz	kVA	42	
Rated Power at 60Hz	kVA	50	
Rated Power Factor		0.8	
Nominal Temperature	°C	40	
Control System		self excited	
Execution		brushless	
Regulation Type		AVR	
Insulation Class		H	
Protection		IP23	
Maximum Overspeed	rpm	2250	
Overload		110% of rated power for one hour in a cycle of 6 hours	
Air Flow Requirement	m ³ /min	9.8 at 50Hz	11 at 60Hz
R.F.I. Suppression		Standard EN55011	

REGULATION DATA

AVR	HVR11	HVR30
Sensing	single-phase	three-phase
Voltage Regulation	±1%	±1%
Sustained Short Circuit	> 300% of rated current	

WINDING DATA

Stator Winding	Double layer with auxiliary winding	
Rotor Winding	with damping cage	
Winding Pitch	2/3	
Number of Leads of Stator	12	
Stator Winding Resistance	0.068 at 20°C	
Rotor Winding Resistance	3.74 at 20°C	
Exciter Stator Resistance	15 at 20°C	
Exciter Rotor Resistance	0.72 at 20°C	
THD at full load	<3%	
THD at no load	<3%	
Excitation at no load	A _{dc}	0.92
Excitation at full load	A _{dc}	2.4

STANDARD

References	EN60034-1 ISO8528-3 EN55011
------------	-----------------------------

PRO18M E/4

ELECTRICAL DATA

Frequency		50Hz - 1500rpm				60Hz - 1800rpm			
Voltage Series Star	V	380/220	400/230	415/240	440/254	415/240	440/254	460/266	480/277
Rated Power in Class H (125°C/40°C)	kVA	42	42	42	36	48	50	50	50
	kW	33.6	33.6	33.6	28.8	38.4	40	40	40
Rated Power in Class F (105°C/40°C)	kVA	39	39	39	32	45	47	47	47
	kW	31.2	31.2	31.2	25.6	36	37.6	37.6	37.6
Rated Power Standby (150°C/40°C)	kVA	47	47	45	42	50	53	55	55
	kW	37.6	37.6	36	33.6	40	42.4	44	44
Rated Power Standby (163°C/27°C)	kVA	48	48	46	44	52	55	57	57
	kW	38.4	38.4	36.8	35.2	41.6	44	45.6	45.6

EFFICIENCY IN CL. H

4/4		89.3%						91.1%
3/4		89.9%						91.7%
2/4		86.3%						87.8%
1/4		81.1%						83.4%

REACTANCES AND TIME CONSTANTS

pcc		0.60						
X _d - dir. axis synchronous		280%	253%	235%	179%	325%	301%	253%
X' _d - dir. axis transient		22.2%	20.0%	18.6%	14.2%	25.7%	23.8%	20.0%
X'' _d - dir. axis subtransient		8.9%	8.0%	7.4%	5.7%	10.3%	9.5%	8.0%
X _q - quad. axis reactance		156%	141%	131%	100%	181%	168%	141%
T' _{do} - O.C. field time constant		180ms						
T' _d - Transient time constant		14ms						
T'' _d - Sub-transient time constant		8ms						

MECHANICAL DATA

Bearing non drive end				6307-2RS-C3
Bearing drive end (B3/B14 form)				6309-2RS-C3
Weight of generator	in B2	kg		200
	in B3/B14	kg		202
	in B3/B9	kg		\

PRO18M E/4

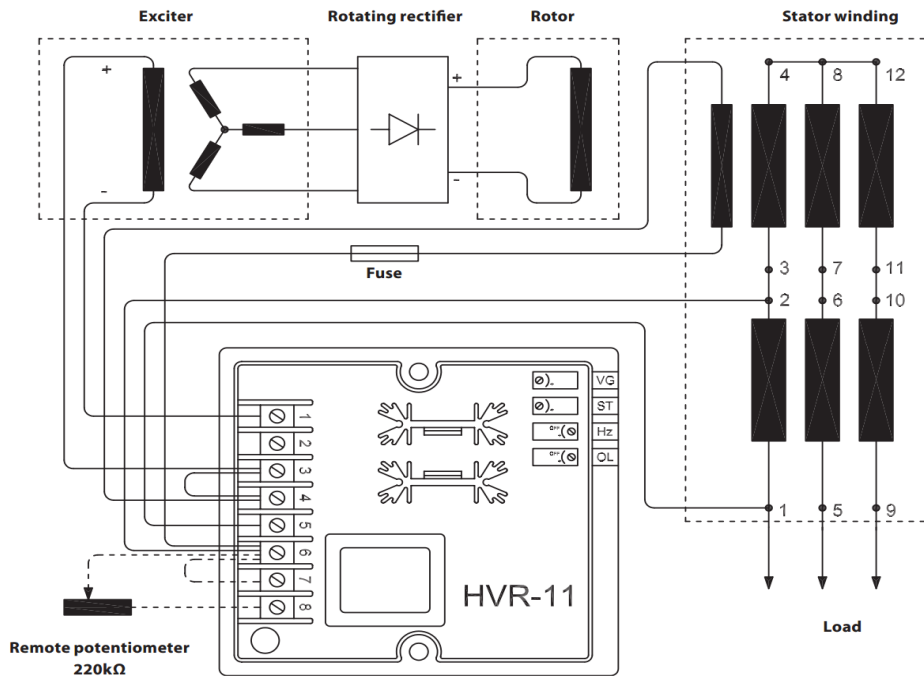
MOMENT OF INERZIA

B3/B9	kg·m ²	\
SAE 7½	kg·m ²	0.369
SAE 8	kg·m ²	0.378
SAE 10	kg·m ²	0.395
SAE 11½	kg·m ²	0.415
SAE 14	kg·m ²	\
SAE 18	kg·m ²	\
B3/B14	kg·m ²	0.367

POWER VARIATION ACCORDING TO TEMPERATURE AND ALTITUDE

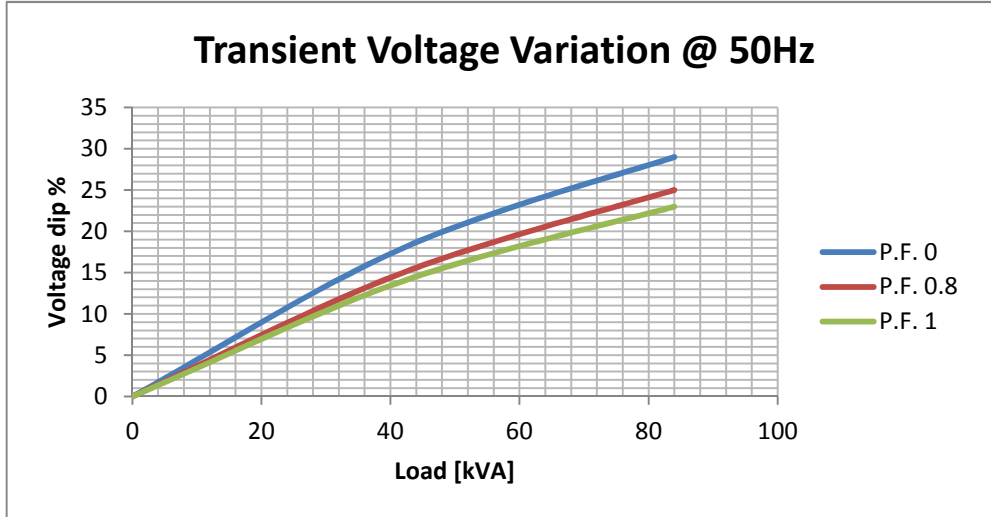
Altitude	Ambient temperature				
	25°C	40°C	45°C	50°C	55°C
< 1000m	1.09	1	0.96	0.93	0.91
1000m - 1500m	1.01	0.96	0.92	0.89	0.87
1500m - 2000m	0.96	0.91	0.87	0.84	0.83
2000m - 3000m	0.9	0.85	0.81	0.78	0.76

WIRING DIAGRAM

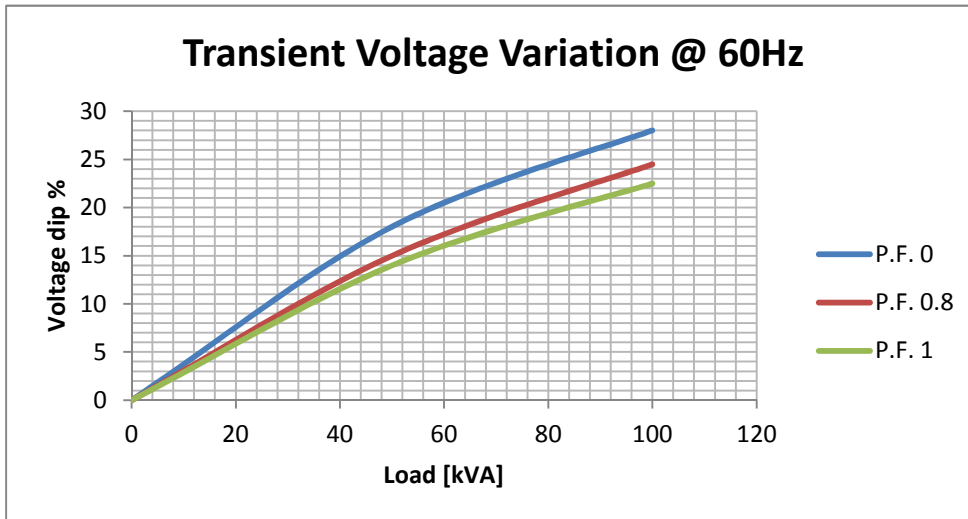


PRO18M E/4

TRANSIENT VOLTAGE VARIATION 50Hz

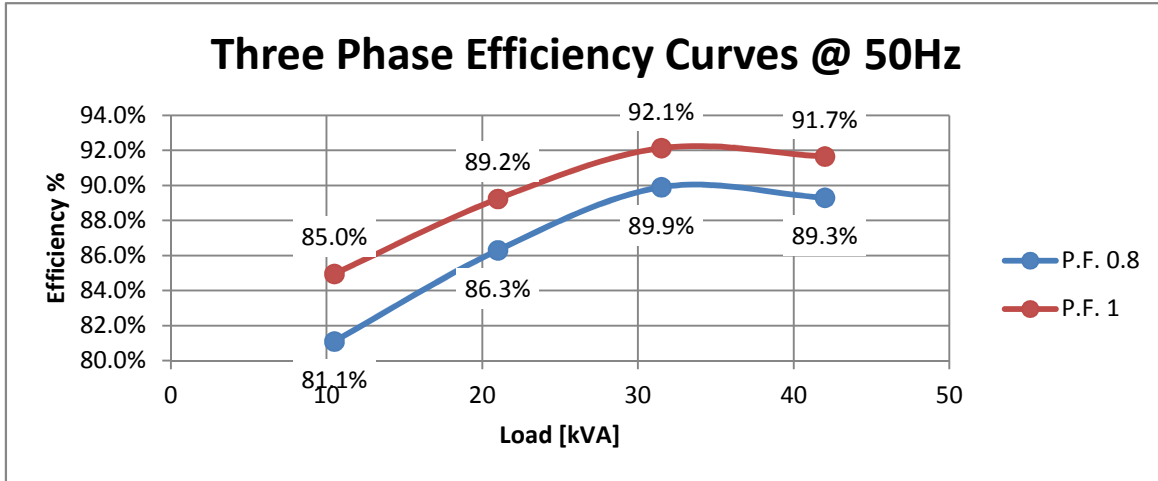


TRANSIENT VOLTAGE VARIATION 60Hz

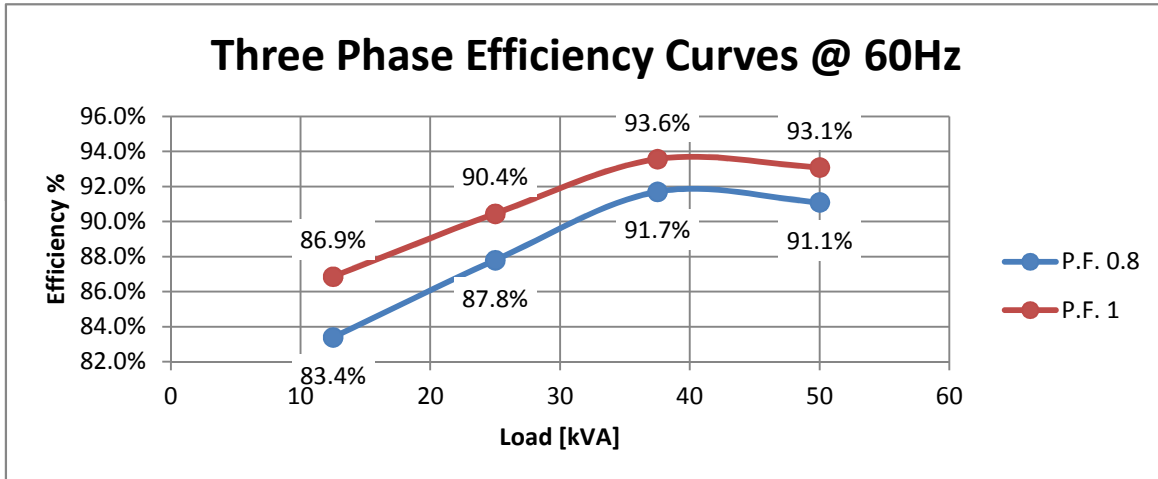


PRO18M E/4

EFFICIENCY 50Hz

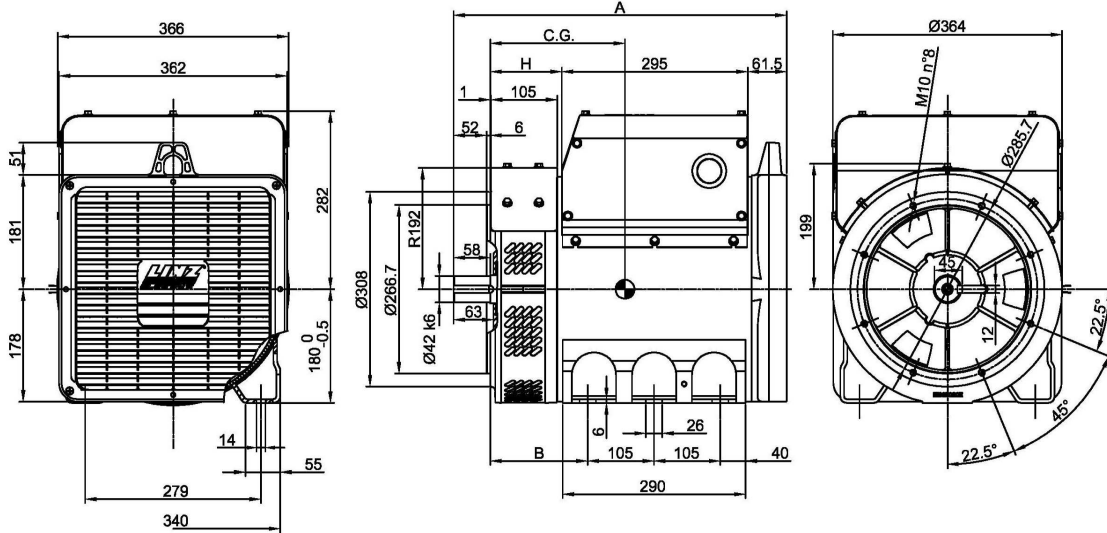


EFFICIENCY 60Hz

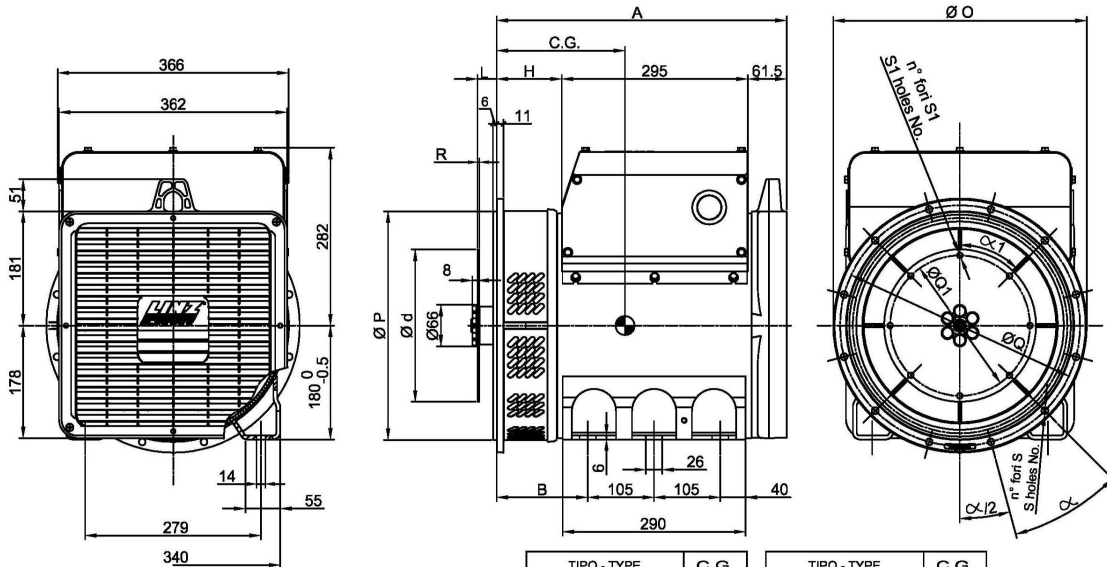


PRO18M E/4

FORMA - FORM B3/B14



FORMA - FORM MD35



FORMA - FORM		A	B	H
B3/B14	PRO 18S	528	155	113.5
	PRO 18M	598		183.5
	PRO 18L	710	260	295.5
MD35	PRO 18S	460	145	103.5
	PRO 18M	530		173.5
	PRO 18L	642	250	285.5

TIPO - TYPE	C.G.	TIPO - TYPE	C.G.
PRO18S A/4 B3/B14	217	PRO18S A/4 MD35	213
PRO18S B/4 B3/B14	221	PRO18S B/4 MD35	217
PRO18S C/4 B3/B14	228	PRO18S C/4 MD35	223
PRO18M D/4 B3/B14	251	PRO18M D/4 MD35	246
PRO18M E/4 B3/B14	262	PRO18M E/4 MD35	257
PRO18L F/4 B3/B14	301	PRO18L F/4 MD35	296
PRO18L G/4 B3/B14	318	PRO18L G/4 MD35	313

SAE N.	FLANGIE - FLANGES - BRIDAS					
	Ø O	Ø P	Ø Q	n. fori holes No.	S	α
5	356	314.3	333.4	8	11	45°
4	402	362	381	12		30°
3	451	409.6	428.6	12		30°
2	490	447.7	466.7	12		30°
						30°

SAE N.	GIUNTI A DISCO - COUPLING DISCS - JUNTAS A DISCOS						
	L	Ø d	Ø Q1	n. fori holes No.	S1	α1	R
6 1/2	30.2	215.9	200	6	9	60°	4.5
7 1/2	30.2	241.3	222.25	8	9	45°	
8	62	263.52	244.47	6	10.5	60	
10	53.8	314.32	295.27	8	10.5	45°	
11 1/2	39.6	352.42	333.37	8	10.5	45°	